



Borough of Doylestown Building and Zoning Department
 57 West Court Street, Doylestown, PA 18901
 215.345.4140

FACT SHEET #12A – ACCESSIBLE BATHROOMS

Accessible Bathroom Check

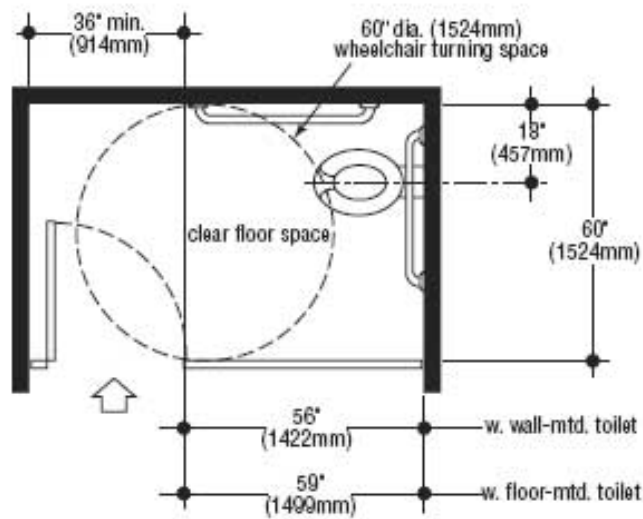
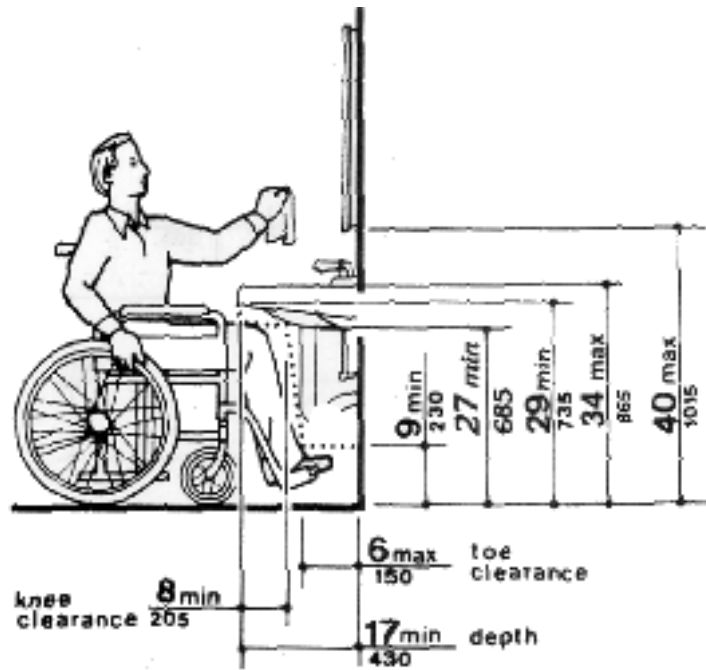
Item	Yes	No
Corridor to restroom is at least 48" wide as measured from baseboard to baseboard.	<input type="checkbox"/>	<input type="checkbox"/>
Entrance doors provide 32" clear width.	<input type="checkbox"/>	<input type="checkbox"/>
There is a forward approach of 60" and at least 18" of side clearance on the pull side of the door.	<input type="checkbox"/>	<input type="checkbox"/>
All toilets and sinks have 30" x 48" clear floor space allowing for a forward or parallel approach.	<input type="checkbox"/>	<input type="checkbox"/>
Signs utilize raised letters, Braille, and symbol of accessibility are they mounted on the strike side of door at 60" exactly as measured to the centerline of the sign.	<input type="checkbox"/>	<input type="checkbox"/>
There is clearance around the toilet of 60 inches minimum, measured perpendicular from the sidewall, and 56 inches minimum, measured perpendicular from the rear wall with nothing but the toilet in this area.	<input type="checkbox"/>	<input type="checkbox"/>
There is a side grab bar mounted on the nearest side wall in a horizontal position at 33" <input type="checkbox"/> 36" (measured to the top of grasping surface) above the floor.	<input type="checkbox"/>	<input type="checkbox"/>
There is a side grab at least 42" long, mounted at a maximum of 12" from the rear wall, and extending 54" minimum from the rear wall?	<input type="checkbox"/>	<input type="checkbox"/>
There is a rear grab bar mounted in a horizontal position at 33" <input type="checkbox"/> 36" above the floor?.	<input type="checkbox"/>	<input type="checkbox"/>
The rear grab bar is a minimum of 36" long and mounted at a maximum of 6" from the nearest side wall.	<input type="checkbox"/>	<input type="checkbox"/>
The rear grab bar allows space for finger gripping below the bottom of the bar and the toilet tank.	<input type="checkbox"/>	<input type="checkbox"/>
There is a vertical grab bar 18 inches minimum in length mounted with the bottom of the bar located between 39 inches and 41 inches above floor, and the center line of the bar located between 39 inches and 41 inches from the rear wall.	<input type="checkbox"/>	<input type="checkbox"/>

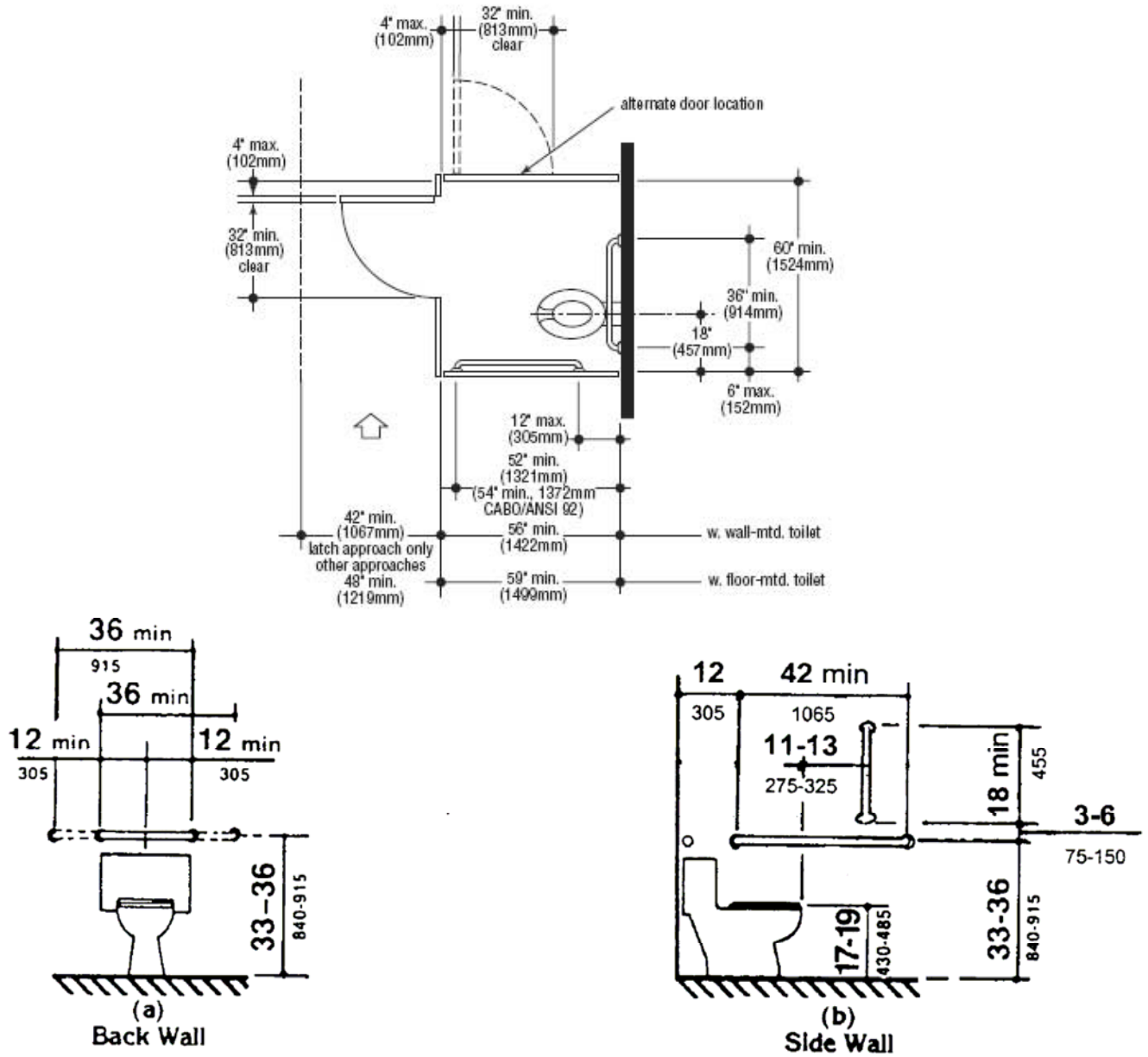
FACT SHEET #12 – Accessible Bathrooms

The distance from the nearest side wall to the centerline of the toilet is 18".	<input type="checkbox"/>	<input type="checkbox"/>
The toilet paper dispenser is mounted at a 44" maximum height or a 19" minimum and 36" from rear wall to leading edge. Is 6" clearance provided to the grab bar if mounted above the grab bar?	<input type="checkbox"/>	<input type="checkbox"/>
The rest room accessories (paper towel and soap dispensers) are mounted at 48" maximum to highest operable part.	<input type="checkbox"/>	<input type="checkbox"/>
The mirror is mounted at 40" to bottom of reflecting surface.	<input type="checkbox"/>	<input type="checkbox"/>
The height of the intended accessible sink is 34" maximum?	<input type="checkbox"/>	<input type="checkbox"/>
29" of knee clearance is provided (as measured from the floor to the bottom of the sink).	<input type="checkbox"/>	<input type="checkbox"/>
The pipes wrapped or inaccessible.	<input type="checkbox"/>	<input type="checkbox"/>
The urinal is 17" maximum to the rim.	<input type="checkbox"/>	<input type="checkbox"/>
The height to the flush valve is 44" maximum.	<input type="checkbox"/>	<input type="checkbox"/>
The distance from the back wall to the front most of the urinal rim is 14".	<input type="checkbox"/>	<input type="checkbox"/>
The clear width of the stall 30" minimum.	<input type="checkbox"/>	<input type="checkbox"/>
The height to the top of the toilet seat is between 17" <input type="checkbox"/> 19".	<input type="checkbox"/>	<input type="checkbox"/>

IF you have stalls -		
The clear width of the accessible stall door is at least 32".	<input type="checkbox"/>	<input type="checkbox"/>
The accessible stall door is outward swinging and self-closing with a 3 second minimum sweep time.	<input type="checkbox"/>	<input type="checkbox"/>
The accessible stall door hardware is sliding or if twisting, with a large twist lever.	<input type="checkbox"/>	<input type="checkbox"/>
The accessible stall is 5' wide x 5' deep.	<input type="checkbox"/>	<input type="checkbox"/>

FACT SHEET #12 – Accessible Bathrooms





The information provided in this guide is intended only to assist residents in understanding the accessibility requirements. It is not a complete recitation of the code. Property owners should consult the Doylestown Borough Code of Ordinances and the PAUCC for answers to specific questions.